

HOY EXCLUSIVE

A NEW GENERATION OF MODERN NUCLEAR SHIELDING



HOY 

– for people’s sake

2019 - Version 1

GLASS VIAL SHIELDS

Developed for low, medium-energy isotopes, beta protection and Lu-177

- LEAD GLASS OFFERS CLEAR 360° VISIBILITY
- ACCOMMODATES MOST VIALS
- SMALL MECHANICAL DIMENSIONS, SMALLEST ON THE MARKET
- LIGHT-WEIGHT
- BESPOKE DIMENSIONS ALSO AVAILABLE, PLEASE GET IN TOUCH
- METAL: ANODISED ALUMINIUM

The high density (5.2 g/cm³) lead Glass Vial Shield protects the user from hand and eye exposure, when inspecting vials before aspiration. The new vial glass offers complete 360° visibility at all times. The vial glass is shielded for low-energy isotopes. Tungsten components within the vial shield allow for the small physical dimensions and light weight.

The lead glass has a unique magnetic lift-off top for needle injection. With the vial adaptors we can ensure that the vial is always correctly positioned and aligned.

Standard colours: Red and aluminium.

Other colours: Ask for quotations.



LOW-ENERGY LEAD GLASS

THE LOW-ENERGY LEAD GLASS IS OFFERED IN TWO DIFFERENT THICKNESSES, 4 mm and 6,4 mm PB EQUIVALENT.



SPECIFICATION

- Lead equivalency 5,2 g / cm³
- Accommodates vials from 5 to 30 ml
- Standard colours: Red and aluminium
- Available in different colours

PART NO.

- 101.000.101.000 = red
- 101.000.102.000 = blue
- 101.000.103.000 = green
- 101.000.104.000 = aluminium
- 101.000.105.000 = black

LOW ACTIVITY VIAL SHIELD

- Lead Glass (thickness 12,5 mm) equivalent to 4 mm Pb
- Outer dimensions: Dia: 60 mm x H: 90 mm
- Inner dimensions: Dia: 30 mm x H: 61 mm
- Standard hole: Ø 5 mm
- Slot: 5 x 13 mm on demand
- Weight: 1033 g

MEDIUM / HIGH ACTIVITY

- Lead Glass (thickness 20 mm) equivalent to 6,4 mm Pb
- Outer dimensions: Dia: 75 mm x H: 90 mm
- Inner dimensions: Dia: 31 mm x H: 60 mm
- Standard hole: Ø 5 mm
- Slot: 5 x 13 mm on demand
- Weight: 1600 g

PART NO.

- 101.000.202.000 = red
- 101.000.201.000 = aluminium

DOSE DRAWING STATION

PART NO. 101.070.001.000

Accommodates Low Activity Vial Shield.

The operating height can be adjusted to fit the exact workflow.



GLASS ACCESSORIES

Accessories for glass vial shields

ADAPTORS AND FLAT DISC FOR LOW AND MED/HIGH VIAL SHIELD

PART NO: 109.000.106.000 - 109.000.106.10

- | | |
|---|---|
| • 109.000.106.000. NO GROVES | VIAL HEIGHT: 56 mm. AND DIAMETER Ø 22 |
| • 109.000.106.001. 1 GROVE | VIAL HEIGHT: 56 mm. AND DIAMETER Ø 25 |
| • 109.000.106.002. 2 GROVES | VIAL HEIGHT: 54,5 mm. AND DIAMETER Ø 22 |
| • 109.000.106.003. 3 GROVES | VIAL HEIGHT: 53 mm. AND DIAMETER Ø 24 |
| • 109.000.106.004. 4 GROVES | VIAL HEIGHT: 50 mm. AND DIAMETER Ø 22 |
| • 109.000.106.005. 1 LARGE DEEP GROVES | VIAL HEIGHT: 36 mm .AND DIAMETER Ø 24 |
| • 109.000.106.006. 1 LONG GROVE | VIAL HEIGHT: 51 mm. AND DIAMETER Ø 25 |
| • 109.000.106.010. 5 GROVES | VIAL HEIGHT: 49 mm. AND DIAMETER Ø 24. (NEW MALLINCKRODT) |
| • 109.000.106.007. DISC WITH HEIGHT 3 mm. | |
| • 109.000.106.008. DISC WITH HEIGHT 4 mm. | |
| • 109.000.106.011. DISC WITH HEIGHT 5 mm. | |
| • 109.000.106.009. DISC WITH HEIGHT 6 mm. | |



10 items in
each package.

VIAL SHIELD FOR ELUAT

PART NO: 101.000.601.000

- Lead glass thickness 26 mm equal to 8 mm Pb
- Outer dimensins: Diameter: 86 mm x Height: 155 mm
- Inner dimensions: Diamter: 50,7 mm x Height: 115,4 mm
- Weight 3,5 kg
- For mallinckrodt and GE vials



For special requests please contact us any time.

SYRINGE SHIELDING

New generation of personal protection for syringes

The low energy syringe shield is designed to give the best mix of personal protection and a high functionality, together with fitting the syringe perfectly. HOY syringe protection comes in different models. The syringe shields are available with three different types of locks: Spring Lock, Twist Lock and from 30 ml. Screw Lock.

TO DEFINE THE SHIELDING TO YOUR SYRINGEMODEL USE PART NO. KEY ON PAGE 22

TUNGSTEN SYRINGE SHIELD

LEAD GLASS HIGH DENSITY (5,2 g / cm³)
TUNGSTEN SHIELDING 2,5 mm

The tungsten syringe shield is designed for all types of syringes and for the following sizes: 1 ml, 2 ml, 2,5 ml, 3 ml, 5 ml, and 10 ml.

The scale of the syringe is fully visible through the leadglass.



LEAD GLASS SYRINGE SHIELD

LEAD GLASS HIGH DENSITY (5,2 g / cm³)
THICKNESS 5,5 mm.

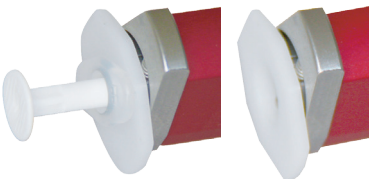
The lead glass syringe shield is designed for all types of syringes and for the following sizes: 1 ml, 2 ml, 2,5 ml, 3 ml, 5 ml, 10 ml, 20 ml, 30 ml and 50 ml.



LOCK TYPES

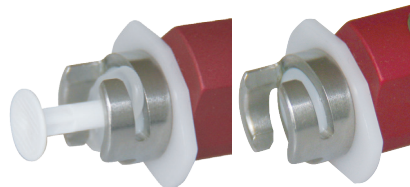
SPRING LOCK

The spring lock encloses the syringe by pushing a button to release a small stick that attaches the syringe into the shielding.



TWIST LOCK

The twist lock encloses the syringe by twisting the syringe into the two flanges that attaches the syringe into the shielding.



SYRINGE SHIELDING

New generation of personal protection for syringes

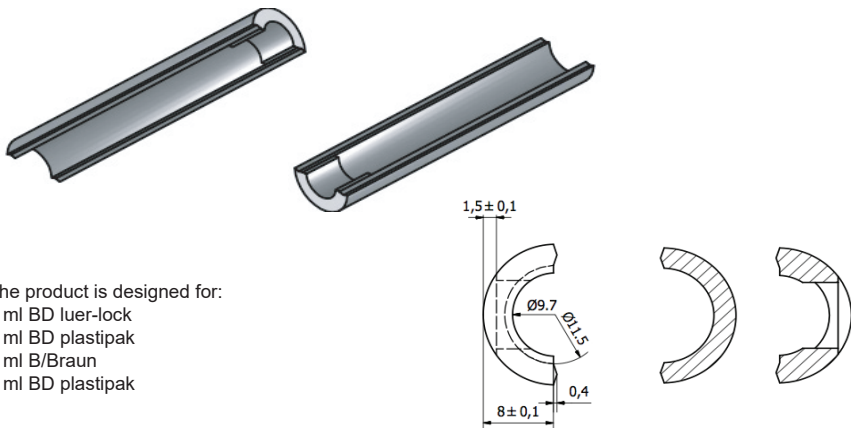
SLIDING SYRINGE SHIELDING

This new syringe shielding can be separated into two parts, by pushing the sides apart. It is closed by strong magnets, and it hereby gives the user the possibility to use safety glide needles.

The syringe shield is with a lead glass density of $5,2 \text{ g / cm}^3$ and a tungsten shielding of $0,5 \text{ mm}$.



The two tungsten parts are designed as a radiation trap.



The product is designed for:

- 1 ml BD luer-lock
- 3 ml BD plastipak
- 3 ml B/Braun
- 5 ml BD plastipak

For other types of syringes please ask.

To define the shielding to your syringe model use part no. key on page 22

SYRINGE HANDLING

HOY Exclusive products

SYRINGE DOSE PIG TRANSPORTER

INCLUDING 6 SYRINGE DOSE PIGS

PART NO. 101.040.001.000

- Length: 295 mm
- Diameter: 100 mm
- Weight: 2,5 kg
- Shielding 3 mm. Pb
- Also available in blue
- Magnetic
- Inner diameter: 15 mm



LID FOR TRANSPORTER

MADE IN ACRYLIC

PART NO. 101.040.002.000

- Length: 155 mm
- Diameter: 110 mm
- Weight: 385 g



SYRINGE DOSE PIG 1 PIECE

WITH 6 SYRINGE DOSE PIGS

PART NO. 101.040.003.000

- Length: 150 mm
- Diameter: 30 mm
- Inner diameter: 15 mm
- Weight: 350 g
- Shielding 3 mm. Pb
- Magnetic



LID FOR SYRINGE DOSE PIG

MADE IN ALUMINIUM

PART NO. 101.040.004.000

- Length: 92 mm
- Diameter opening: 36 mm
- Inner diameter: 25 mm
- Weight: 50 g



SYRINGE PIG CARRIER

STAINLESS STEEL

PART NO. 101.040.006.000

- Height: 120 mm
- External diameter: 54 mm
- Inner diameter: 36 mm
- Weight: 600 g
- Shielding 3 mm. Pb
- Dishwater proof



SHIELDED SYRINGE TRAY

FOR 6 SYRINGES

PART NO. 101.050.000.000

- Weight: 5 kg
- Length: 250 mm
- Width: 250 mm
- Height: 75 mm
- Stackable
- Shielding 3 mm. Pb



SYRINGE CARRIER

HOY Exclusive products



LARGE CONTAINER BOX WITH LEAD GLASS

WITH 3 MM PB EQUIVALENT LEAD GLASS

PART NO. 101.020.003.000

- Inner dimensions: L: 207 x W: 72 x H: 30 mm
- Outer dimensions: L: 221 x W: 85 x H: 55 mm
- 3 mm pb
- Weight: 2.8 kg
- Can be delivered with a lock
- Also available without the lead glass (101.020.002.000)



HANDLE FOR LARGE CONTAINER

(101.020.002.000 and 101.020.003.000)

PART NO. 109.020.003.000

- Length: 240 mm
- Height: 110 mm
- Weight: 70 g



TWO MAGNETIC SEPARATORS

(101.020.002.000 and 101.020.003.000)

PART NO. 109.020.004.000

- Width: 75 mm
- Height: 15 mm
- Weight: 30 g



SHIELDING FOR BAGS

HOY Exclusive products

HOY Scandinavian offers a new product, which is for use when working with 100 ml infusionbags. The shielding can be mounted on the IV pole, with the infusionbag inside, to prevent the radiation from spreading.

SHIELDING FOR INFUSION BAGS

WITH 10 MM LEAD GLASS

PART NO. 101.050.001.000

- Dimensions: Length: 180 x Width: 120 x Depth: 40 mm
- Weight: 2,2 kg
- 3 mm Pb
- Works with 100 ml infusionbags



SYRINGE TRANSPORT

HOY Exclusive products

PART NO. 101.055.000.000

- Dimension: 270 x 245 x 170 mm
- Weight: 6 kg
- Shielding: 1 mm on all sides
- Special design for Xofigo transport

The case can be locked and sealed.

The case can be made fitted and made waterproof.

There is a handle on top of the case to use during transport.

The advanced clips fits perfectly on the syringe, it locks and secures the syringe by using strong magnets. Additional clips can be purchased:

PART NO. 101.055.100.000

1 set of 2 clips.

PART NO. 101.055.200.000

5 set of 2 clips.



SYRINGE TRANSPORT

Container for trolley - non magnetic

The syringe transport container has a removable tray inside. The syringe transport container is only available as non-magnetic.

PART NO. 105.001.501.000 NON-Magnetic

- Outer dimensions: 127 x 297 x 190 mm
- Tray dimensions: 60 x 200 x 40 mm
- Weight: 40 kg
- Shielding: 30 mm Pb
- Non-magnetic



- The trolley is not included
- For additional information about the trolley, see its designated page at page 21.

PET SHIELDING

HOY Exclusive products

High protected PET Shielding from HOY provides the user with optimal radiation shielding within all the work phases during the PET/MR or PET/CT procedure.

PET SYRINGE PIG

PART NO. 101.100.101.000

- Outer dimensions: Diameter: 100 mm x H: 185 mm
- Inner dimensions: Diameter: 30 mm x H: 152 mm
- Available in non-magnetic
- Shielding: 35 mm Pb
- Weight: 16,2 kg



PET VIAL TRANSPORTER

PART NO. 101.100.201.000

- Height: 150 mm
- Inner depth: 72 mm
- Inner diameter: 41 mm
- Weight: 12 kg
- Shielding: 25 mm Pb
- Diameter: 102 mm
- The lid is secured with magnets to secure firm closure. The handle is ergonomical designed to secure the user.



PET SYRINGE SHIELD

To define the shielding to your syringe model use part no. key on page 22.

- Weight: 750 g (1 ml)
- Non-magnetic / magnetic
- Shielding: 10 mm tungsten
- Available for the following syringe sizes: 1 ml, 3 ml, 5 ml, and 10 ml.



PET SHIELDING

HOY Exclusive products

High protected PET Shielding from HOY provides the user with optimal radiation shielding within all the work phases during the PET/MR or PET/CT procedure.

PET WASTE CONTAINER

PART NO. 101.100.301..000

- Height: 230 mm
- Diameter: 180 mm
- Shielding: 15 mm Pb
- Weight: 21 kg
- Inner diameter: 110 mm
- Other dimension on request



PET FLOOR STANDING WASTE CONTAINER

PART NO. 101.080.007.000

- Height: 600 mm
- Outer diameter: 305 mm
- Inner diameter: 250 mm
- Weight: 120 kg
- Shielding: 15 mm Pb
- Brushed stainless steel
- Designed to have a big bag inside the container. When opening the container the lid is rotated 90 degrees. It can be bolted to the floor.



α / β / γ SHIELDING

Protecting ALFA / BETA / GAMMA Shielding from HOY provides the user with optimal radiation shielding within all work phases with the use of acrylic and lead glass.

VIAL SHIELDS FOR BETA

PART NO. 101.000.301.000

- Lead Glass (thickness 22,3 mm)
- Outer Dimensions: Diameter: 94 mm x Height: 120 mm
- Inner Dimensions: Diameter: 37 mm x Height: 72 mm
- Weight: 2,9 kg



VIAL SHIELD FOR 100 ML

PART NO. 101.000.501.000

- Lead glass thickness 15 mm
- Length: 115 mm (internal)
- Diameter: 82 mm (internal)
- Weight: 3 kg
- For 100 ml vial



ACRYLIC SHIELDING FOR GAMMA

PART NO. 109.000.401.000 & 109.000.402.000

- 109.000.401.000 - for ZEVALIN Y-90, Small
Inner Dimensions: Diameter: 15,4 mm x Height: 36,1 mm
- 109.000.402.000 - for ZEVALIN Y-90, Large
Inner Dimensions: Diameter: 26,3 mm x Height: 56,7 mm



ACRYLIC SYRINGE SHIELD W/ SPRING LOCK

To define the shielding to your syringe model use part no. key on page 22.

Accommodates:

1, 2, 5 or 10 ml syringes.

Other dimensions on request.

Thickness: 10 mm



ACCESSORIES

HOY Exclusive products

TRAY WITH BALL WHEELS

PART NO. 101.180.201.000

- Length: 150 mm x Width: 150 mm



PART NO. 101.180.301.000

- Length: 230 mm x Width: 120 mm



STAINLESS STEEL TRAY

PART NO. 101.180.001.000

- Height: 16 mm
- Length: 300 mm
- Width: 250 mm



COPPER SYRINGE DIPPER

PART NO. 101.180.501.000

For use with I-123 and I-111



DIPPER FOR ALL TYPES OF DOSE CALIBRATORS

PART NO. 101.180.401.000

For use with Venstra and Capintec dose calibrators.



WASTE CONTAINERS

HOY Exclusive products

WASTE BIN FOR SYRINGES & NEEDLES

SMALL

PART NO. 101.080.001.000

- Outer diameter: 130 mm
- Inner diameter: max 106 mm
- Height: Individual
- Weight: 4 kg - 6 kg
- 2 - 3 l.

Shielding: 3 mm Pb.

Can be made for FDG 15 mm Pb.



WASTE CONTAINER

FLOOR STANDING

PART NO. 101.080.006.000

- Outer diameter: 305 mm
- Inner diameter: 250 mm
- Height: 600 mm
- Weight: 80 kg - 120 kg
- Brushed stainless steel
- 20 - 30 l.

Shielding: 3 mm Pb.

Can be made for FDG 15 mm Pb.



WASTE BIN FOR SYRINGES & NEEDLE

MEDIUM

PART NO. 101.080.002.000

- Outer diameter: 180 mm
- Inner diameter: max 147 mm
- Height: Individual
- Weight: 6 kg - 8 kg
- 3 - 5 l.

Shielding: 3 mm Pb.

Can be made for FDG 15 mm Pb.



WASTE BIN FOR SYRINGES & NEEDLES

SQUARE

PART NO. 101.080.008.000

- Length: Individual
- Height: Individual
- Weight: Individual

Shielding: 3 mm Pb.

Can be made for FDG 15 mm Pb.



WASTE BIN FOR SYRINGES & NEEDLES

LARGE

PART NO. 101.080.003.000

- Outer diameter: 260 mm
- Inner diameter: max 235 mm
- Height: Individual
- Weight: 8 kg - 10 kg
- 10 - 15 l.

Shielding: 3 mm Pb.

Can be made for FDG 15 mm Pb.



WASTE CONTAINER

FLOOR STANDING WITH PEDAL

PART NO. 101.080.005.000

- Outer diameter: 260 mm
- Inner diameter: 230 mm
- Height: 410 mm
- Weight: 21 kg
- Lead shielding: 3 mm

Shielding: 3 mm Pb.



All waste containers are made after individual measurements, so they fit the yellow bins exactly.

For exact dimensions and prices, please contact us and let us know the brand, length and diameter of your bin.

By order we need the yellow bin.

RADIO CHEMISTRY

HOY Exclusive products

VIAL SHIELD FOR 30 MM. VIAL

PART NO. 101.031.000.000

- Outer diameter: 78 mm
- Inner diameter: 31 mm
- Constructed in anodised aluminium
- Lid with magnetic lift-off top
- Height: 120 mm
- Shielding: 16 mm Pb
- Weight: 2.85 kg



VIAL SHIELD FOR 1 ML. QC SAMPLE GLASS

PART NO. 101.031.010.000

- Outer diameter: 78 mm
- Inner diameter: 12 mm
- Constructed in aluminium/anodised aluminium
- Weight: 4.6 kg
- Lid with magnetic lift-off top
- Height: 107 mm
- Shielding: 25 mm Pb



VIAL SHIELD FOR EPPENDORF TUBE

PART NO. 101.032.000.000

- Height: 125 mm
- Diameter: 70 mm
- Weight: 4.6 kg
- Shielding: 30 mm Pb
- Brushed stainless steel
- Lid with magnetic lift-off top



TONGS FOR VIALS

HOY Exclusive products

HOY Sandinavian offers several different types of tongs for use when working with vials. The tongs are produced in different lengths, angles and with different claw types. The 2 gripping claws give an excellent grip of the vial. The tong is designed so that you simply push the white disc against the handle to open the claws. The spring locking automatically holds the vial until the white disc is pushed back again.

The straight tong is produced in 4 different models:

PART NO. 101.060.101.000 - tong for vial, short model (16 cm from handle to the claw) with short claws

PART NO. 101.060.102.000 - tong for vial, short model (16 cm from handle to the claw) with long claws

PART NO. 101.060.201.000 - tong for vial, long model (26,5 cm from handle to the claw) with short claws

PART NO. 101.060.202.000 - tong for vial, long model (26,5 cm from handle to the claw) with long claws



Short claws = 30 mm

Long claws = 60 mm

The angled tong is produced in 6 different models:

PART NO. 101.060.401.000 - tong for vial, angled model (right hand) with short claws

PART NO. 101.060.402.000 - tong for vial, angled model (right hand) with long claws

PART NO. 101.060.501.000 - tong for vial, angled model (left hand) with short claws

PART NO. 101.060.502.000 - tong for vial, angled model (left hand), with long claws

PART NO. 101.060.301.000 - tong for vial, standard angled model with short claws

PART NO. 101.060.302.000 - tong for vial, standard angled model with long claws



TONGS FOR VIALS

HOY Exclusive products

HOY Scandinavian also offers tongs for other types of vials. HOY designs tongs for 1,5 ml vials and for 100 ml vials.

The 2 different tongs are:

PART NO. 101.060.601.000 - Tong for 100 ml vials

PART NO. 101.060.701.000 - Tong for 1,5 ml vials



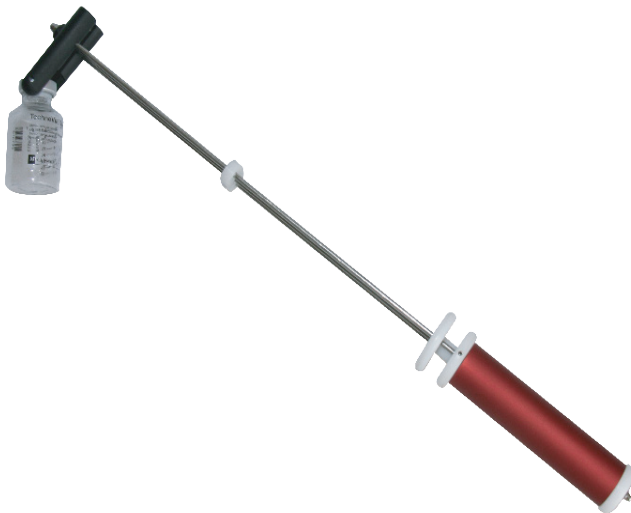
The new tong from HOY features a single axis gimbal to stabilize the vial. This ensures a stabilized vial throughout the motion; the gimbal will make sure the vial is not tilted, even when tilting the tong.

This works coherently with the HOY vial glass; the tong is easier to align with the slot in the vial glass for a simple and easy insertion.

PART NO. 101.060.801.000

- Length of handle: 125 mm
- Length from handle to claw: 260 mm
- Length of claw: 70 mm
- Total length: 405 mm

Note that this currently only accommodates 10 ml vials, however other volumes can be supported on request.



SPECIAL TASKS

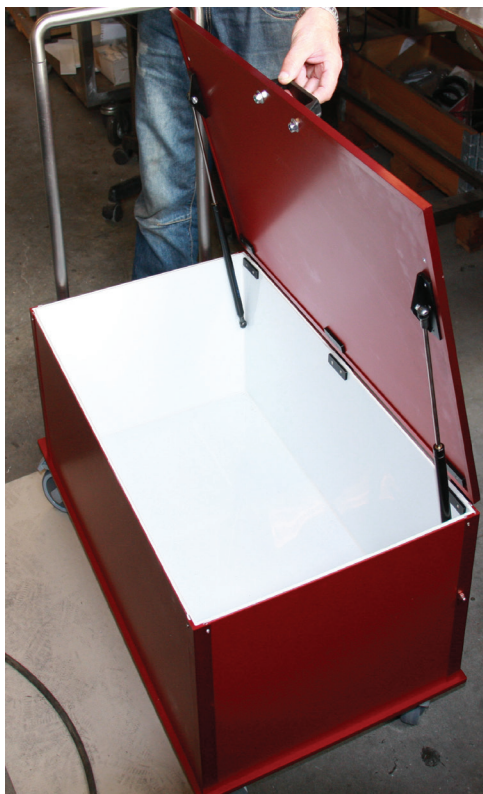
HOY Exclusive products

HOY Scandinavian offers personal, committed guidance and development of equipment, workstations and constructions.

When it comes to larger tasks, HOY Scandinavian cooperates with highly trained technicians with many years of experience.

The company works in close cooperation with a local machine shop, which has great expertise in turn and mill tasks and knows how to work with lead and tungsten.

Please contact us for a qualified discussion.



HOY TROLLEY

Modular table that can be *customized* to meet every need.

HOY trolley is a table developed to fit all the required items for injecting a patient. The trolley makes the routine comfortable and provides protected transportation for the personnel.

PART NO.

105.000.000.000 = Trolley with 1 drawer and fixed height

105.000.100.000 = Trolley with 1 drawer and adjustable height

- Height: 910 mm
- Width: 500 mm
- Depth: 650 mm
- Weight: 17 kg

Stainless steel frame with coloured coating gives the table a solid and presentable appearance. Removable wheels that make the transition to the sterile environment easier



TROLLEY MODULES

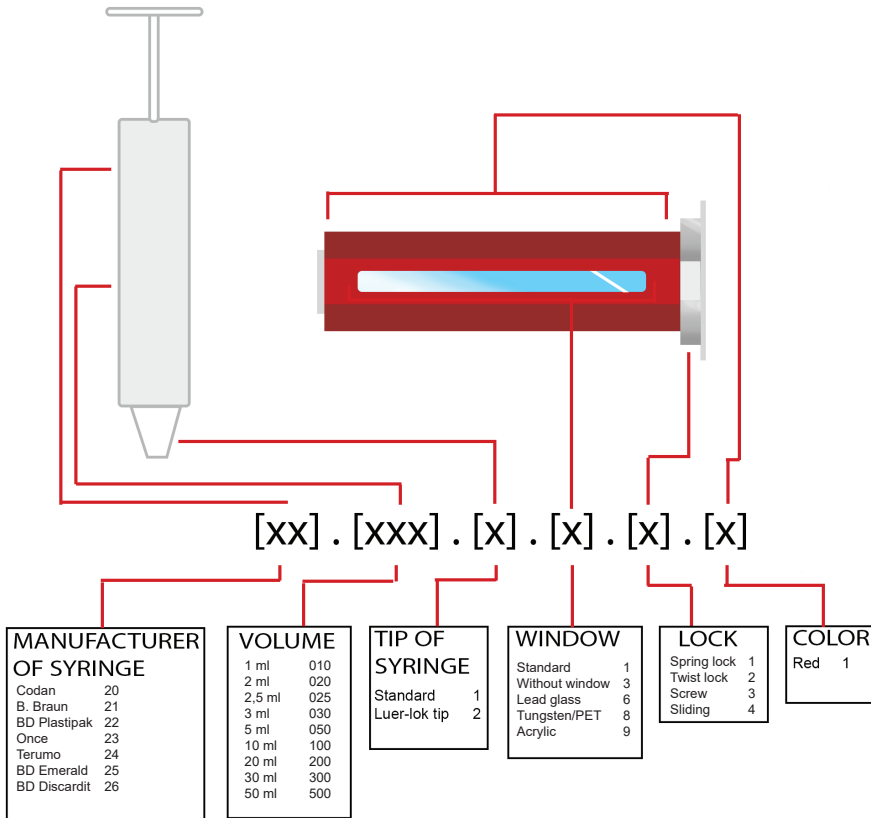
- Adjustable or fixed tray
- Journal fixer
- Height adjustable
- Shielded waste bin for sharps
- Tape dispenser

TROLLEY MODULES

- Laptop table
- Adjustable tray
- Waste bin
- Movable wheels

SYRINGE SHIELDS

Ordering guide, part numbers & example



EXAMPLE

22.025.1.1.2.1

The manufacturer of the syringe is BD (22) and the syringe has a volume of 2,5 ml (025). The syringe features a standard tip (1). The chosen syringe shield has a standard window (1). The lock is a twist lock (2). The color of the syringe shield is red (1).

HOY EXCLUSIVE

How to treat our products

Prober and safe cleaning:

Lead glass is a soft glass material, which can be scratched and break.
The softness of the lead glass is due to the lead glass density.
Lead glass can be compared with home crystal glassware, and are sensitive to scratches.

How to clean the colored aluminum and lead glass:

Never wash the products in a dishwasher, as the colored surface and the lead glass will corrode.
For prober cleaning use alcohol or normal dish soap.
In general, never use alkaline substance, as it will damage the aluminum surface and the lead glass.
The Colored surface can lose color in direct sun-light. Temperatures over 100°C can damage the product.



HOY Scandinavian ApS - Jacob Møllersgade 4 - DK-9560 Hadsund - Phone: + 45 70 27 10 97
www.hoyscandinavian.dk - mail: info@hoyscandinavian.dk